



comer industries

SPARE PARTS LIST

Rigid Drive Axle

SERIES

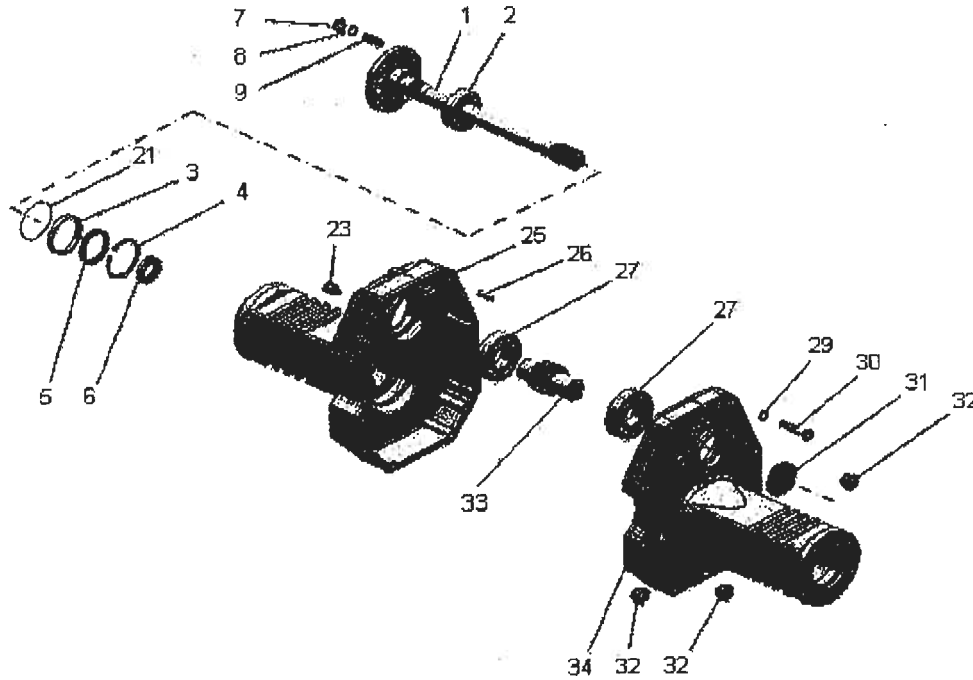
Indumec 035

P/N 880402.B001

COMER INDUSTRIES
B.U. Axles & Wheel Drive Units
Via Magellano, 37 - I-42046 Reggiolo (RE) Italy
Tel. +39 0522 211611 - Fax +39 0522 211601

Vordorachse 160Dy / 160Dy A

 comer industries	Drive axle series 035 P/N 880402.B001	Issue date: 10/08 Revision: 01 Issued by: POS Checked by: POS



Pos.	Part number	Description	Q.ty	Pos.	Part number	Description	Q.ty
7	9120.345.000	Nut 14x1,5 DIN	8	505.606 Drive shaft Ass'y 2			
8	9440.376.100	Split washer LIMES	8	1	0000.094.554	Drive shaft	1
9	2292.014.035	Stud bolt M14x1,5x35	8	2	1650.000.072	Ball bearing double row	1
21	9030.088.801	O-ring 2287	2	3	0000.106.815	Bush	1
23	9510.018.070	Oil plug M10x1	1	4	0750.000.720	Snap ring diam. 72	1
25	0000.092.785	Side housing	1	5	1111.000.137	Oil seal Basl 50x65x8	1
26	0655.001.028	Parallel pin 10x30	3	6	0000.210.503	Self lock nut M35x1,5	1
27	8.0.1.00050	Ball bearing 6308	2				
29	0510.000.130	Washer	8				
30	9540.384.061	Screw M12x55	8				
31	8.7.0.01359	Cover	1				
32	3123.000.022	Plug M22x1,5	3				
33	0000.174.149	Input gear	1				
34	0000.092.784	Side housing	1				
	9390.500.065	Stud bolt M14x60	8				